



BE16051B
Voltage: 51.2V
Capacity: 160Ah



BOLT ENERGY USA
 "GET ENERGIZED"

DATA SHEET

MECHANICAL SPECIFICATIONS	
Dimensions (L x W x H)	29.57''x 10.17''x 9.13''
Weight	153 lbs(69.4kg)
Terminal Type	M8*1.5*25mm
Cell Configuration	1P16S
Case Material	Powder Coated Steel
Enclosure Protection	Designed with IP66 Standard
Cell Type - Chemistry	Prismatic- LiFePO4

ELECTRICAL SPECIFICATION	
Nominal Voltage	51.2V
Working Voltage	43.2 - 58.4V
Recommended Voltage	48.0V - 57.0V
Nominal Capacity	160Ah
Energy	8,192Wh
Capacity @ 25A	384 min
Efficiency	0.99
Self Discharge	<3% per Month

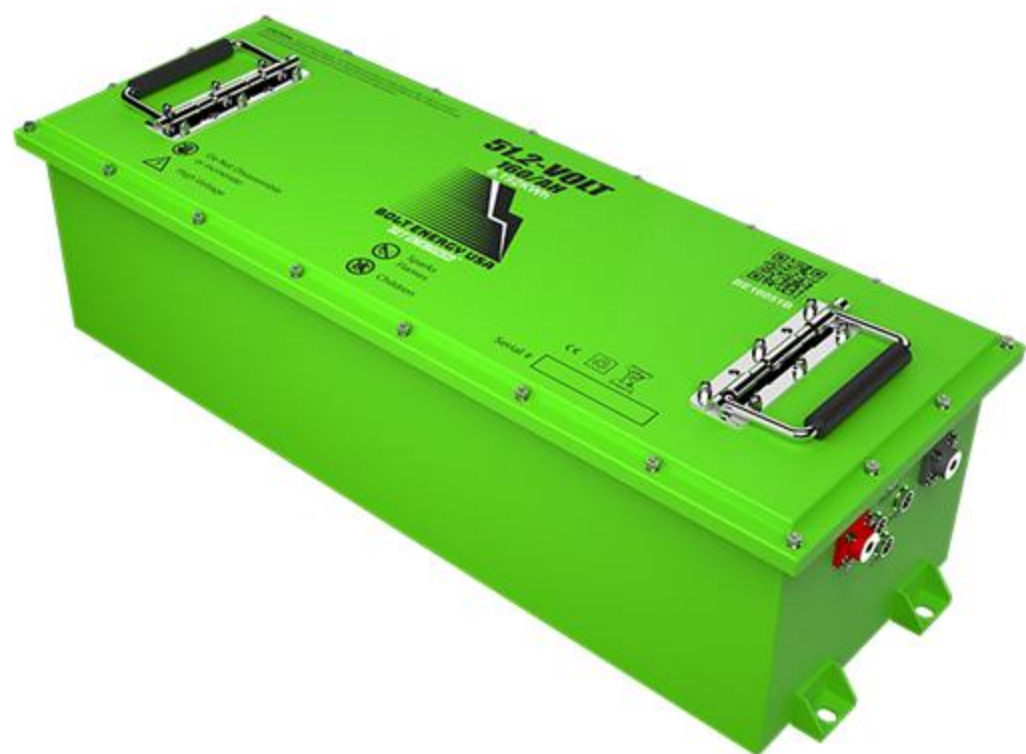
DISCHARGE SPECIFICATIONS	
Maximum Continuous Discharge Current	250 A
Peak Discharge Current	520A ± 15.6A (30S)
BMS Discharge Current Cut-Off	260 A ±A7.8A (50S) 520A ± 15.6A (30S)
BMS Discharge Voltage Cut-Off	40V
Recommended Low Voltage Disconnect	48.0V
BMS Reconnect Voltage	41.6V
Discharge Temperature	-4 to 149 °F (-20 to 65 °C)

CHARGE SPECIFICATIONS	
Recommended Charge Current	5 - 52A
Maximum Input Current	350A
Charge Current Cut-off	375A
BMS Charge Voltage Cut-Off	58.5V
Reconnect Voltage	<58.5V
Charging Temp . Range	34F to 140F (0-60 °C)



COMMUNICATION	
Bluetooth	Bluetooth receiver
CAN	CAN port for testing battery

LARGO, FLORIDA
WWW.BOLTENERGYUSA.COM



BE16051B

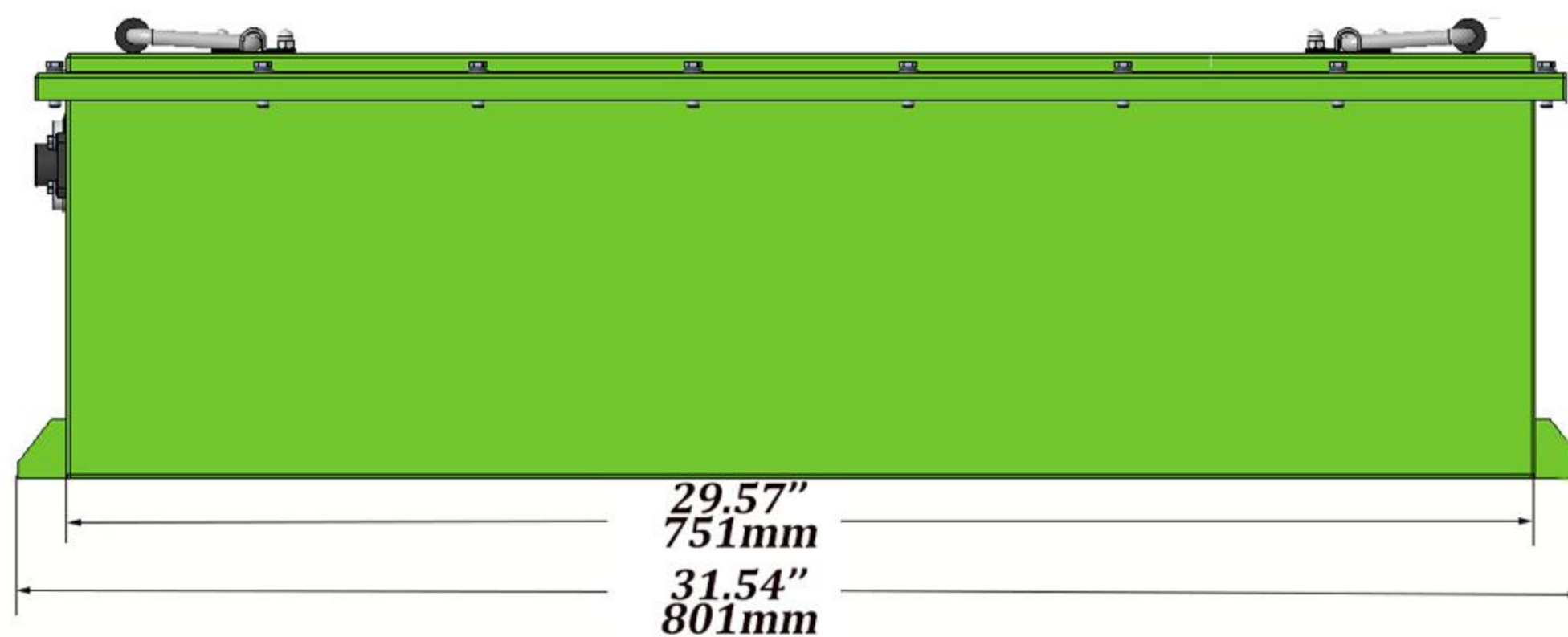
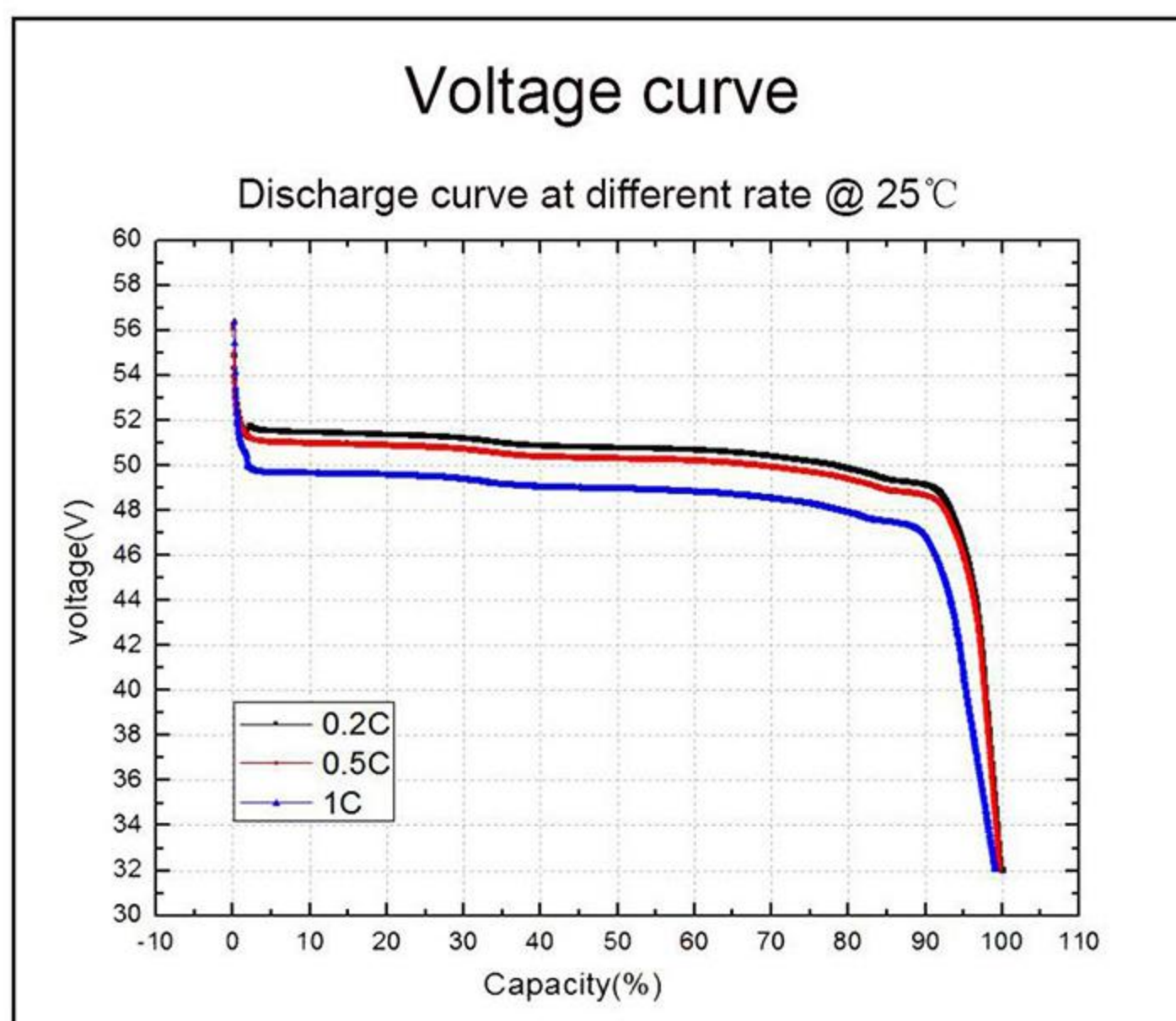
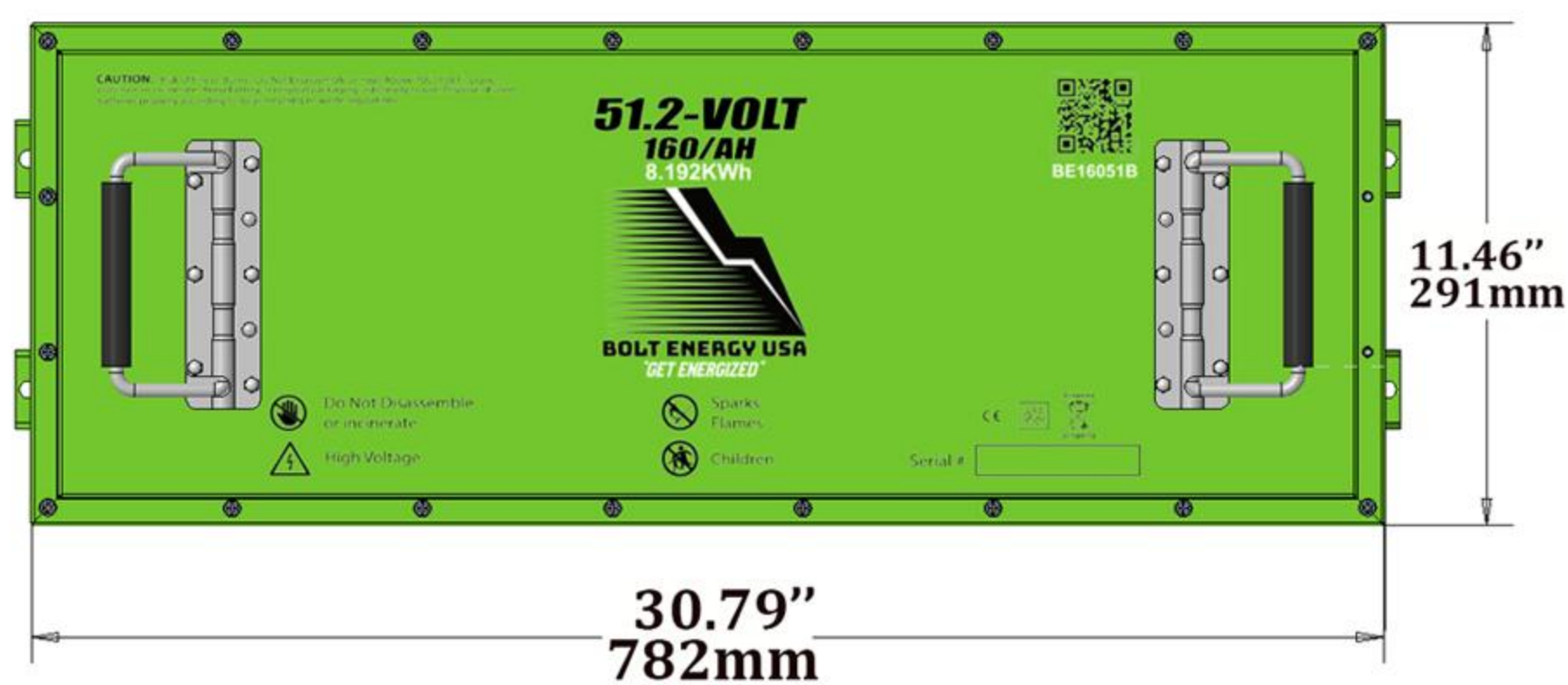
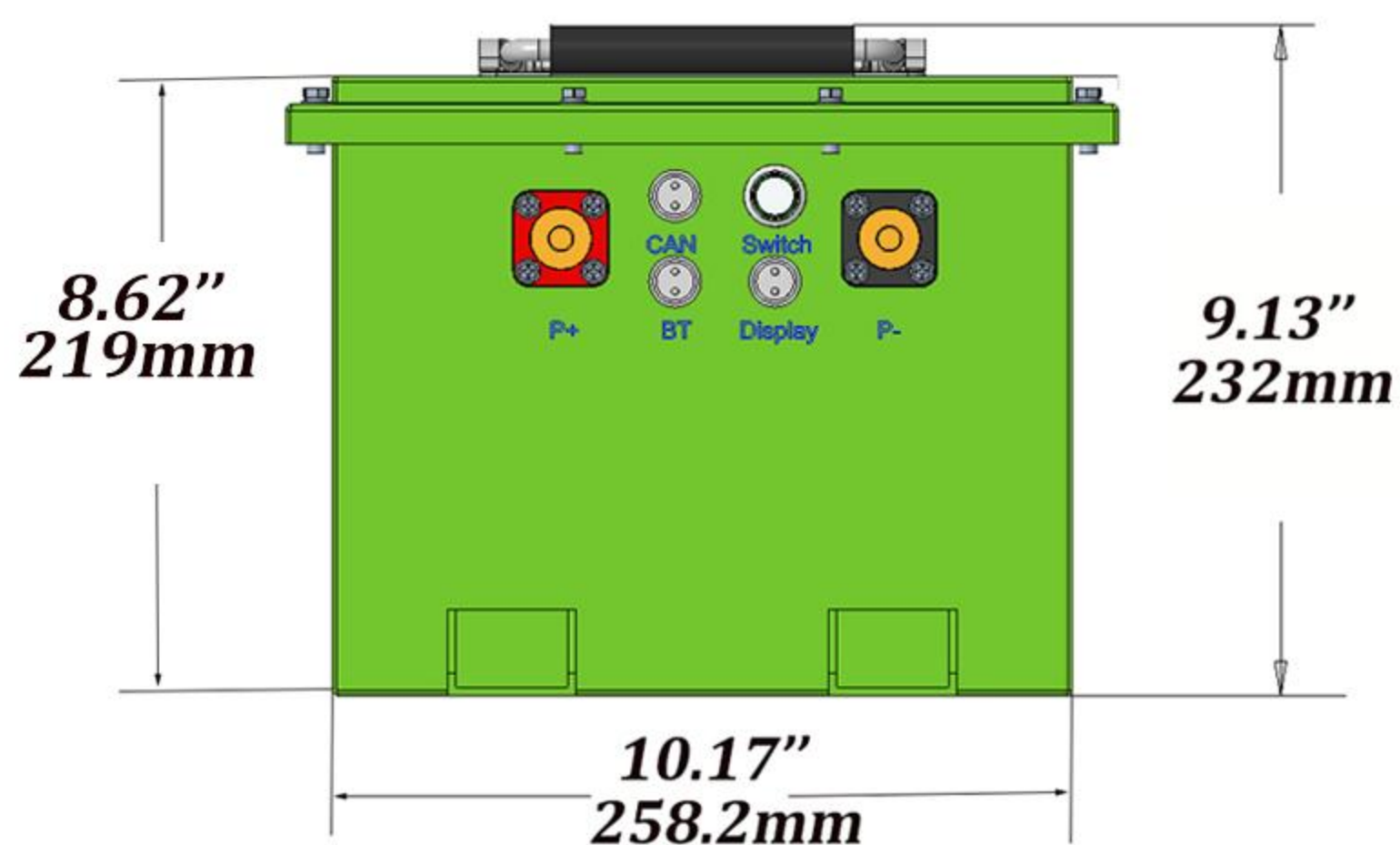
Voltage: 51.2V

Capacity: 160Ah



BOLT ENERGY USA
"GET ENERGIZED"

DATA SHEET



LARGO, FLORIDA
BOLTENERGYUSA.COM