



**BE10551T**  
**Voltage: 51.2V**  
**Capacity: 105Ah**



**BOLT ENERGY USA**  
*"GET ENERGIZED"*

**DATA SHEET**

<b>MECHANICAL SPECIFICATIONS</b>	
Dimensions (L x W x H)	20''x 8.43''x10.65''
Weight	105 lbs(47.63kg)
Terminal Type	M8*1.5*25mm
Cell Configuration	1P16S
Case Material	Powder Coated Steel
Enclosure Protection	Designed with IP66 Standard
Cell Type - Chemistry	Prismatic- LiFePO4

<b>ELECTRICAL SPECIFICATION</b>	
Nominal Voltage	51.2V
Working Voltage	43.2 - 58.4V
Recommended Voltage	48.0V - 57.0V
Nominal Capacity	105 Ah
Energy	5,376Wh
Capacity @ 25A	252 min
Efficiency	0.99
Self Discharge	<3% per Month

<b>DISCHARGE SPECIFICATIONS</b>	
Maximum Continuous Discharge Current	250 A
Peak Discharge Current	520A ± 15.6A ( 30S)
BMS Discharge Current Cut-Off	260 A ±A7.8A (50S) 520A ± 15.6A ( 30S)
BMS Discharge Voltage Cut-Off	40V
Recommended Low Voltage Disconnect	48.0V
BMS Reconnect Voltage	41.6V
Discharge Temperature	-4 to 149 °F (-20 to 65 °C)

<b>CHARGE SPECIFICATIONS</b>	
Recommended Charge Current	5 - 52A
Maximum Input Current	350A
Charge Current Cut-off	375A
BMS Charge Voltage Cut-Off	58.5V
Reconnect Voltage	<58.5V
Charging Temp . Range	34F to 140F (0-60 °C)



<b>COMMUNICATION</b>	
Bluetooth	Bluetooth receiver
CAN	CAN port for testing battery

**LARGO,FLORIDA**  
**WWW.BOLTENERGYUSA.COM**

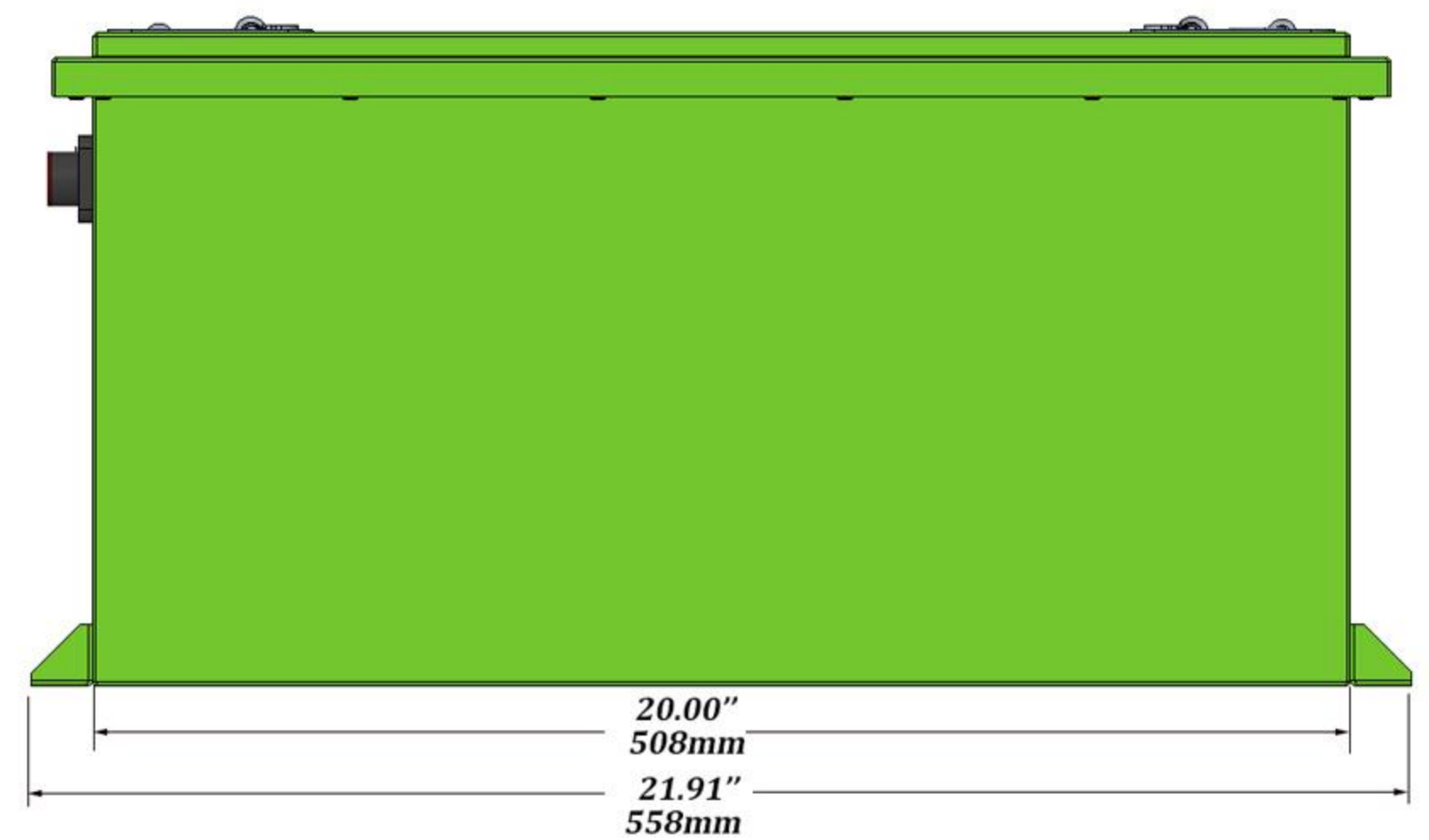
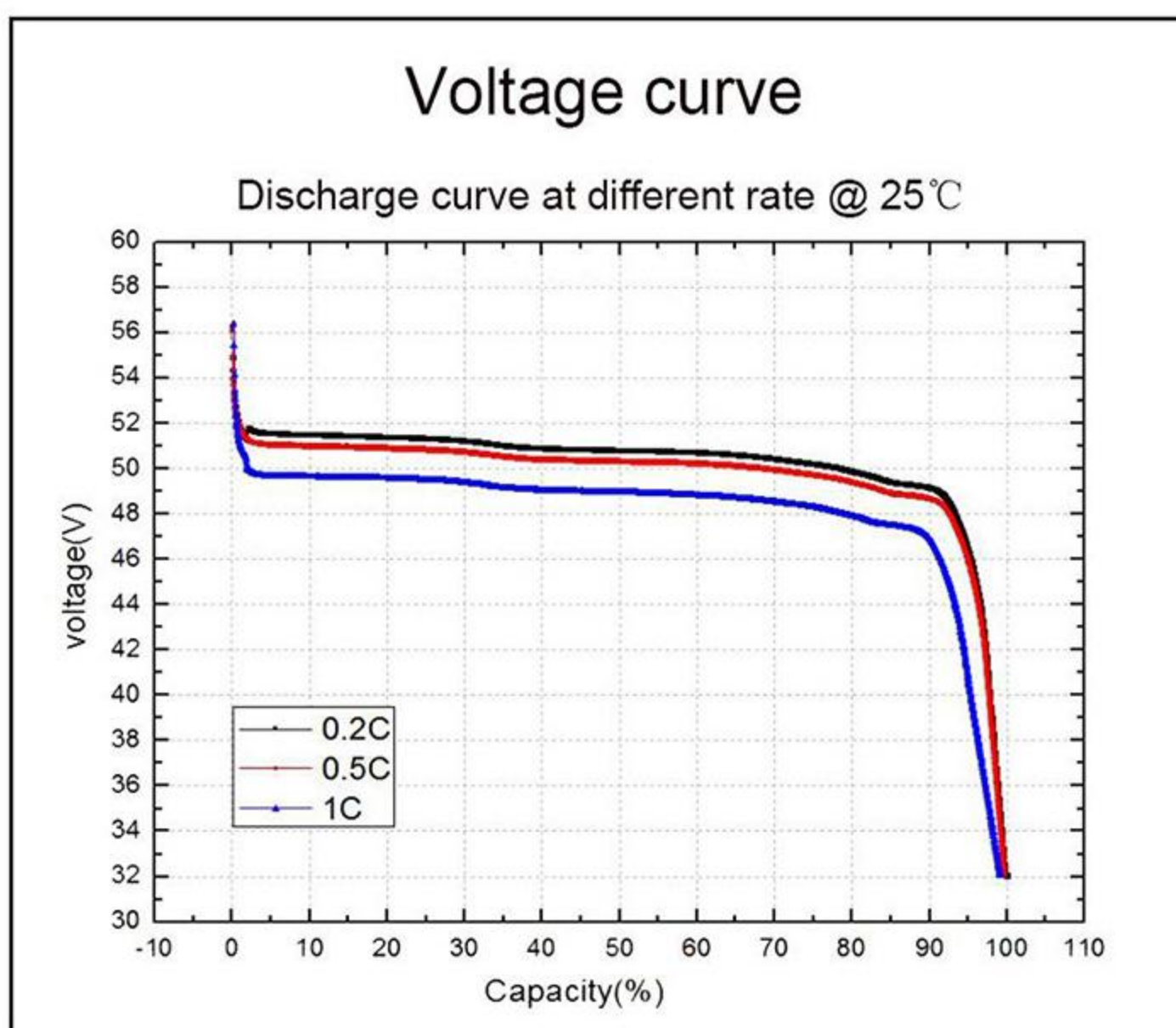
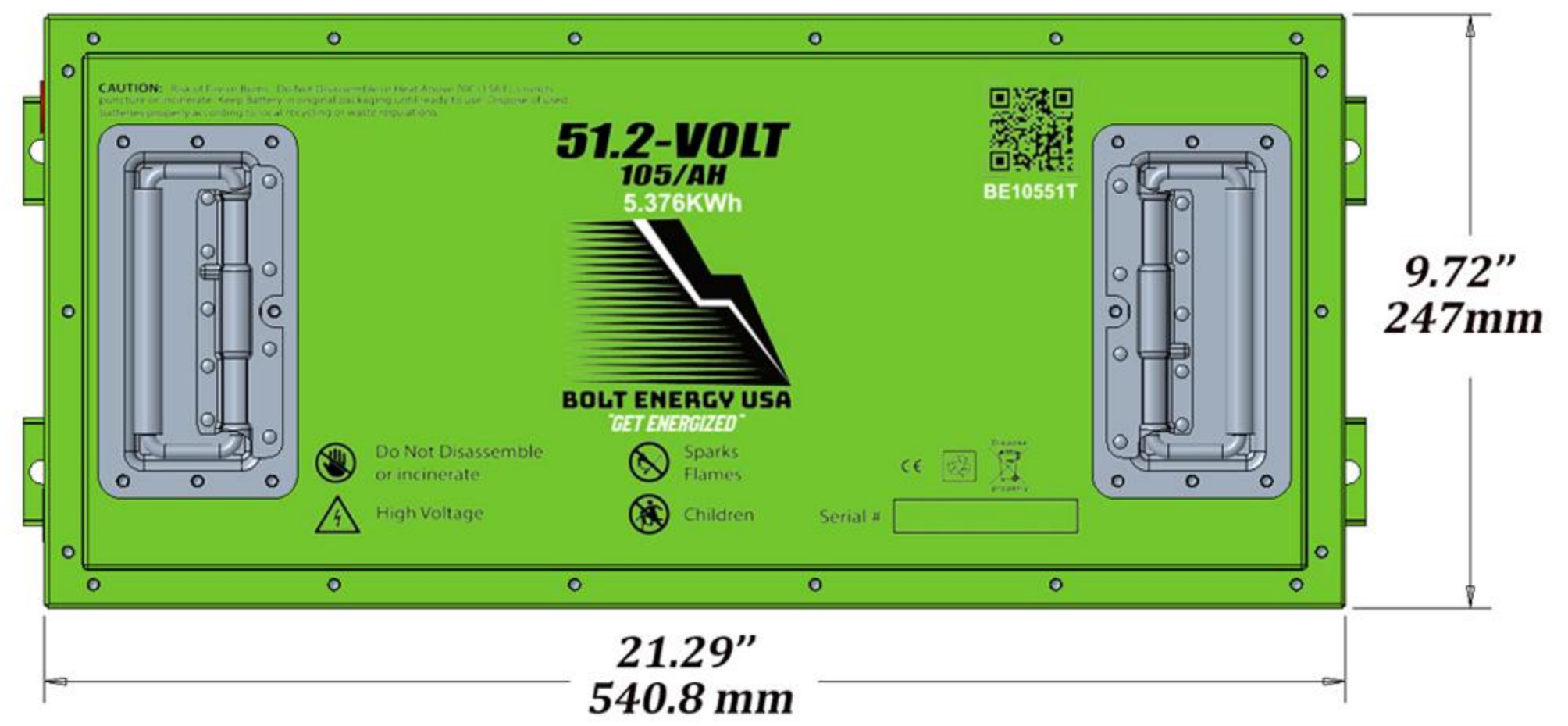
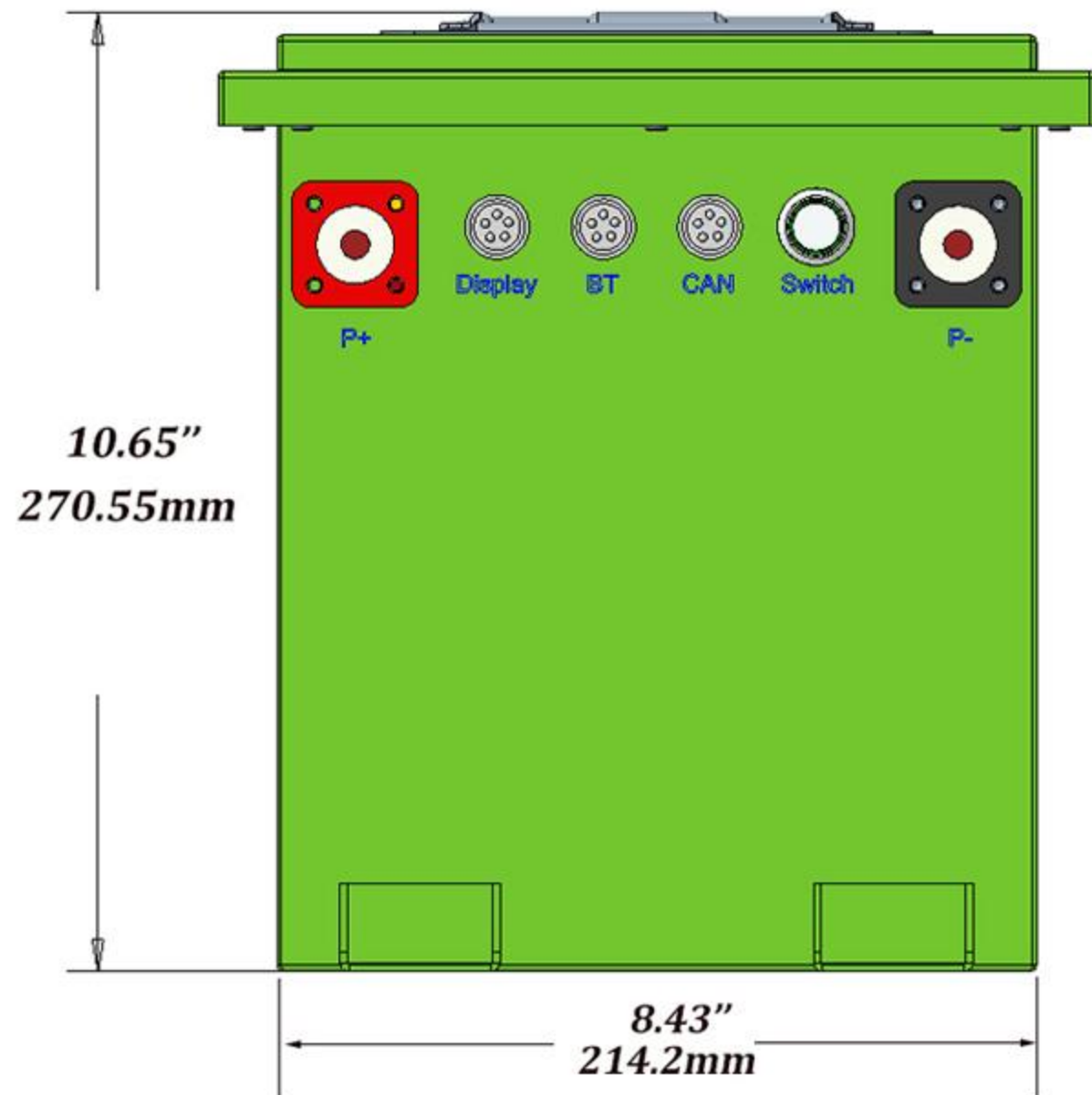


**BE10551T**  
**Voltage: 51.2V**  
**Capacity: 105Ah**



**BOLT ENERGY USA**  
*"GET ENERGIZED"*

**DATA SHEET**



**LARGO, FLORIDA**  
**BOLTENERGYUSA.COM**