



BE10572P
Voltage: 73.6V
Capacity: 105Ah



BOLT ENERGY USA
 "GET ENERGIZED"

DATA SHEET

MECHANICAL SPECIFICATIONS	
Dimensions (L x W x H)	20.08''x10.75''x10.39''
Weight	137.26 lbs(62.26kg)
Terminal Type	M8*1.5*25mm
Cell Configuration	1P23S
Case Material	Powder Coated Steel
Enclosure Protection	Designed with IP66 Standard
Cell Type - Chemistry	Prismatic- LiFePO4

ELECTRICAL SPECIFICATION	
Nominal Voltage	73.6V
Working Voltage	62.0-83.95V
Recommended Voltage	69.0V - 81.93V
Nominal Capacity	105Ah
Energy	7,728 wh
Capacity @ 15A	420 Min.
Efficiency	0.99
Self Discharge	<3% per Month

DISCHARGE SPECIFICATIONS	
Maximum Continuous Discharge Current	250 A
Peak Discharge Current	520A ± 15.6A (30S)
BMS Discharge Current Cut-Off	260 A ±A7.8A (50S) 520A ± 15.6A (30S)
BMS Discharge Voltage Cut-Off	57.5V
Recommended Low Voltage Disconnect	69.0V
BMS Reconnect Voltage	60.0V
Discharge Temperature	-4 to 149 °F (-20 to 65 °C)

CHARGE SPECIFICATIONS	
Recommended Charge Current	5 - 52A
Maximum Input Current	350A
Charge Current Cut-off	375A
BMS Charge Voltage Cut-Off	84V
Reconnect Voltage	< 84V
Charging Temp . Range	34F to 140F (0-60 °C)



COMMUNICATION	
Bluetooth	Bluetooth receiver
CAN	CAN port for testing battery

LARGO, FLORIDA
WWW.BOLTENERGYUSA.COM

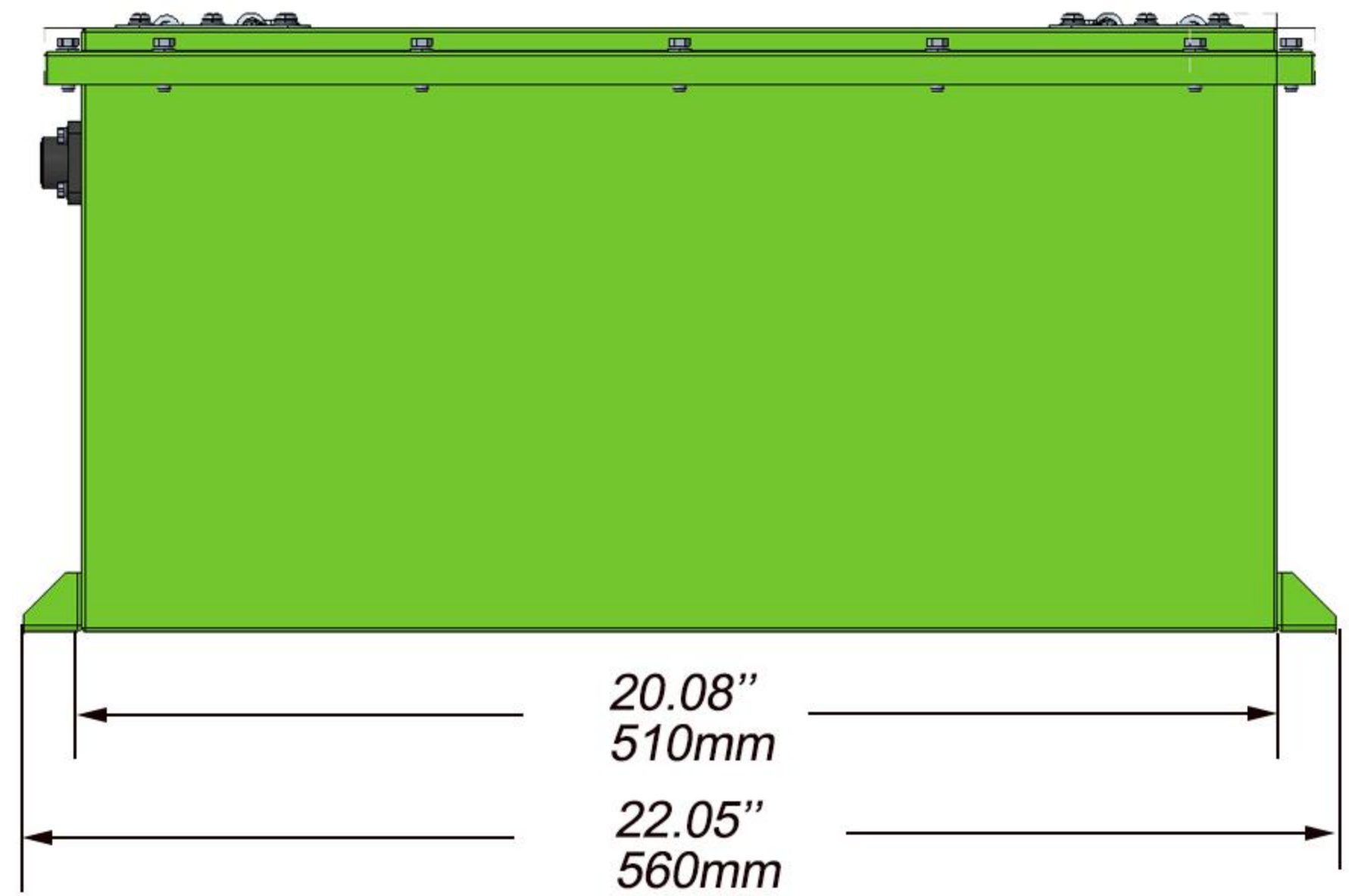
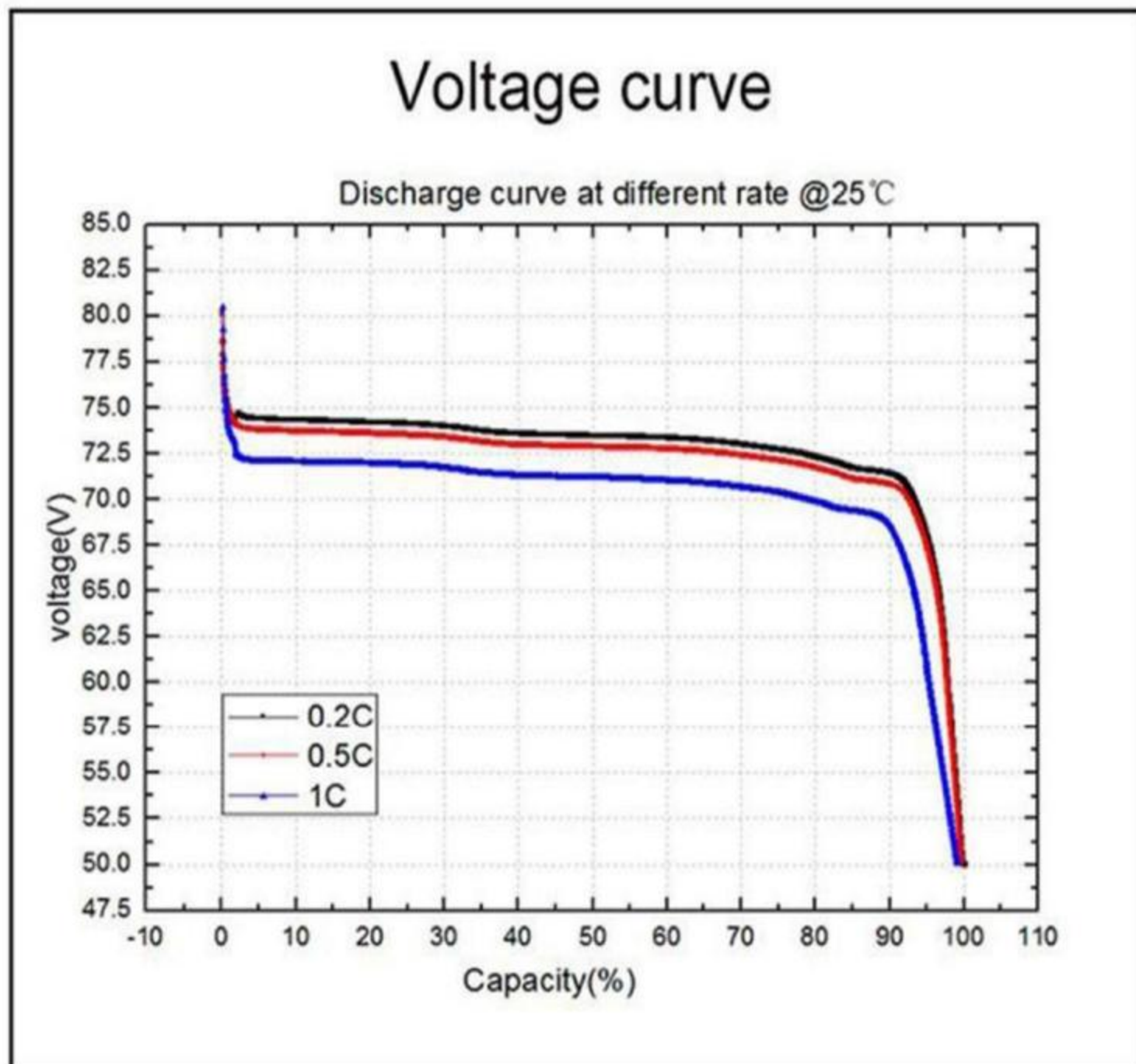
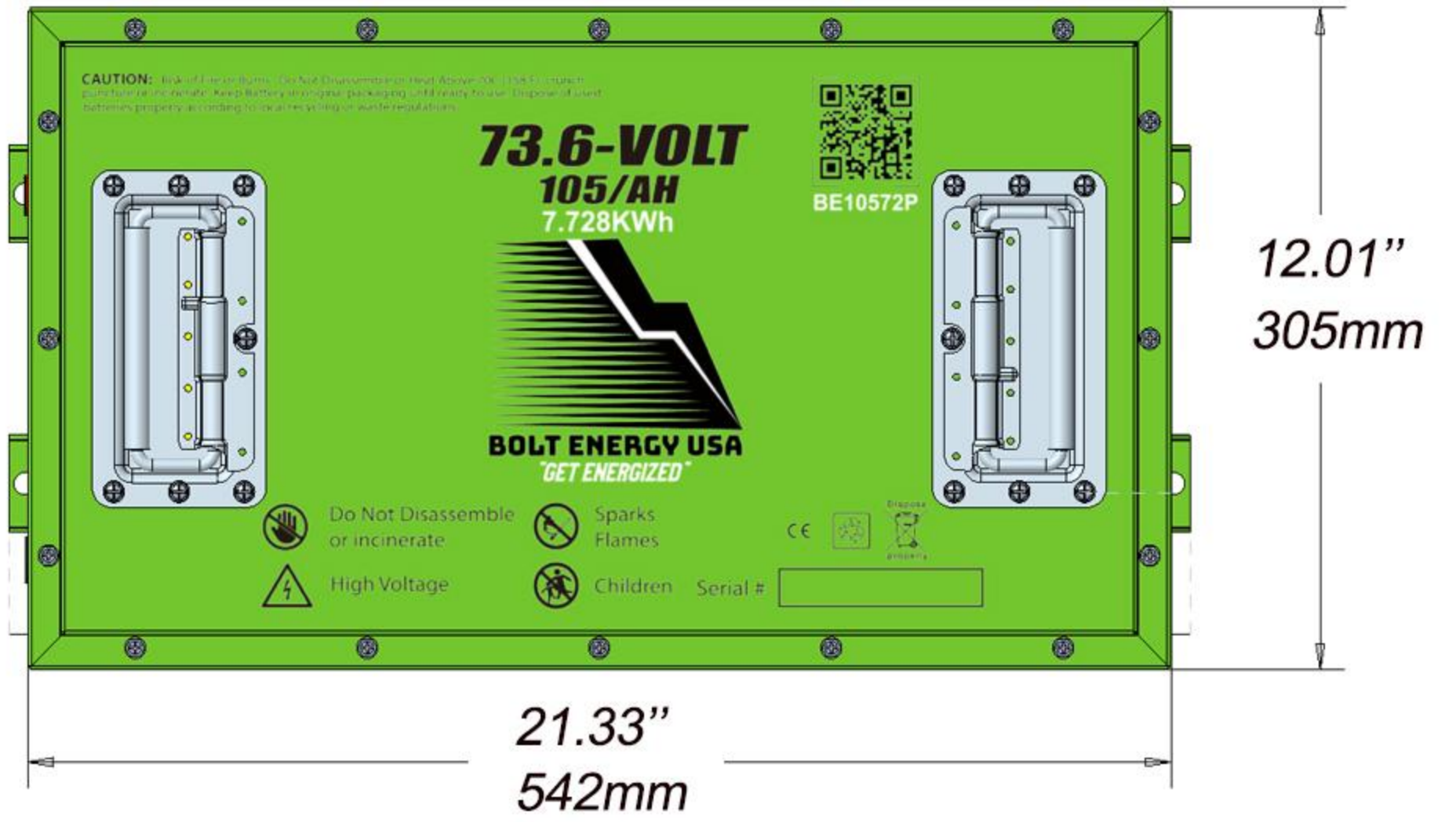
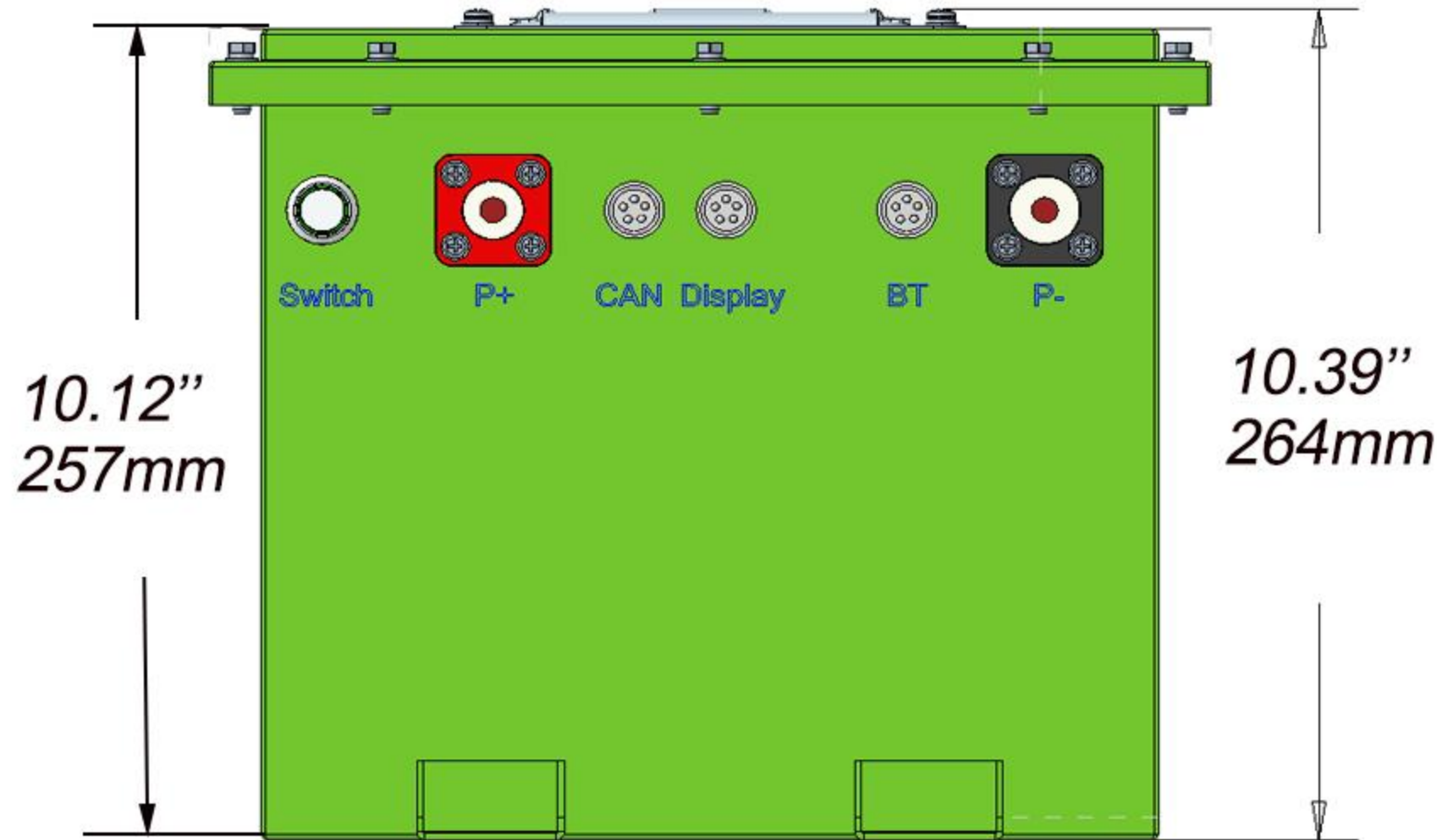


BE10572P
Voltage: 73.6V
Capacity: 105Ah



BOLT ENERGY USA
"GET ENERGIZED"

DATA SHEET



LARGO, FLORIDA
WWW.BOLTENERGYUSA.COM